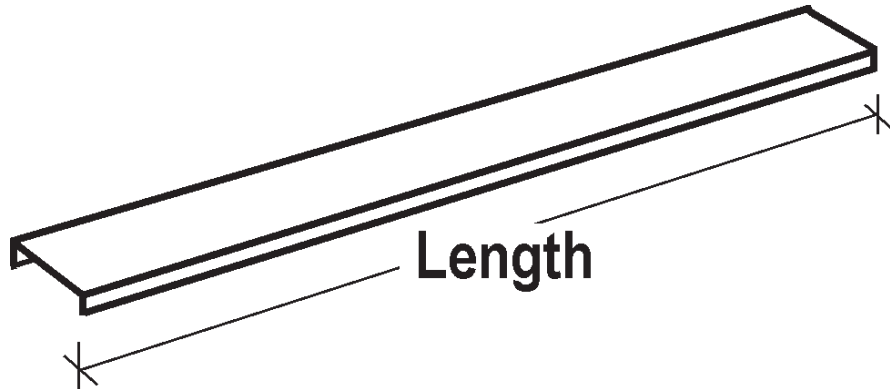


Price List October 1, 2003

"O" Gauge Track Supports



- @ Heavy Gauge Steel Construction
- @ Available Custom Length
- @ Primed in Red Primer
- @ Add Non Structural Decorations
- @ Spans up to 9ft
- @ Also Available in S/S

"O" Gauge Track Support

	Length	2 Ft	3 Ft	4 Ft	5 Ft	6 Ft	7 Ft	8 Ft
Single Track	Model	OST2	OST3	OST4	OST5	OST6	OST7	OST8
	Price	\$15.99	\$19.99	\$24.99	\$28.99	\$33.99	\$37.99	\$42.99
Double Track	Model	ODT2	ODT3	ODT4	ODT5	ODT6	ODT7	ODT8
	Price	\$19.99	\$24.99	\$30.99	\$36.99	\$41.99	\$47.99	\$53.99
Triple Track	Model	OTT2	OTT3	OTT4	OTT5	OTT6	OTT7	OTT8
	Price	\$23.99	\$29.99	\$36.99	\$43.99	\$50.99	\$57.99	\$64.99

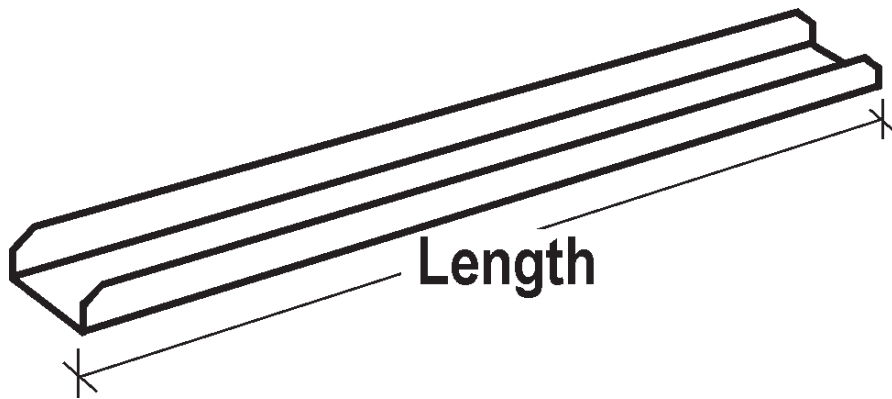
*Custom Units Available -
Consult Factory*



S/S "O" Gauge Track Support

	Length	2 Ft	3 Ft	4 Ft	5 Ft	6 Ft	7 Ft	8 Ft
Single Track	Model	OST2S	OST3S	OST4S	OST5S	OST6S	OST7S	OST8S
	Price	\$24.99	\$31.99	\$39.99	\$47.99	\$55.99	\$62.99	\$70.99
Double Track	Model	ODT2S	ODT3S	ODT4S	ODT5S	ODT6S	ODT7S	ODT8S
	Price	\$31.99	\$40.99	\$50.99	\$60.99	\$69.99	\$79.99	\$89.99
Triple Track	Model	OTT2S	OTT3S	OTT4S	OTT5S	OTT6S	OTT7S	OTT8S
	Price	\$37.99	\$48.99	\$60.99	\$71.99	\$83.99	\$95.99	\$106.99

"Girder" Bridges



- @ Heavy Gauge Steel Construction
- @ Available Custom Length
- @ Primed in Red Primer
- @ Also Available in S/S

"O" Gauge Girder Bridge

	Length	10"	20"	2 Ft	3 Ft	4 Ft	5 Ft	6 Ft	7 Ft	8 Ft
Single Track	Model	OSGA	OSGB	OSG2	OSG3	OSG4	OSG5	OSG6	OSG7	OSG8
	Price	\$18.99	\$18.99	\$22.99	\$28.99	\$35.99	\$41.99	\$48.99	\$55.99	\$61.99
Double Track	Model	ODGA	ODGB	ODG2	ODG3	ODG4	ODG5	ODG6	ODG7	ODG8
	Price	\$23.99	\$23.99	\$28.99	\$36.99	\$44.99	\$52.99	\$60.99	\$68.99	\$76.99
Triple Track	Model	OTGA	OTGB	OTG2	OTG3	OTG4	OTG5	OTG6	OTG7	OTG8
	Price	\$28.99	\$28.99	\$34.99	\$43.99	\$53.99	\$63.99	\$73.99	\$82.99	\$92.99

*Custom
Units
Available -
Consult
Factory*



S/S "O" Gauge Girder Bridge

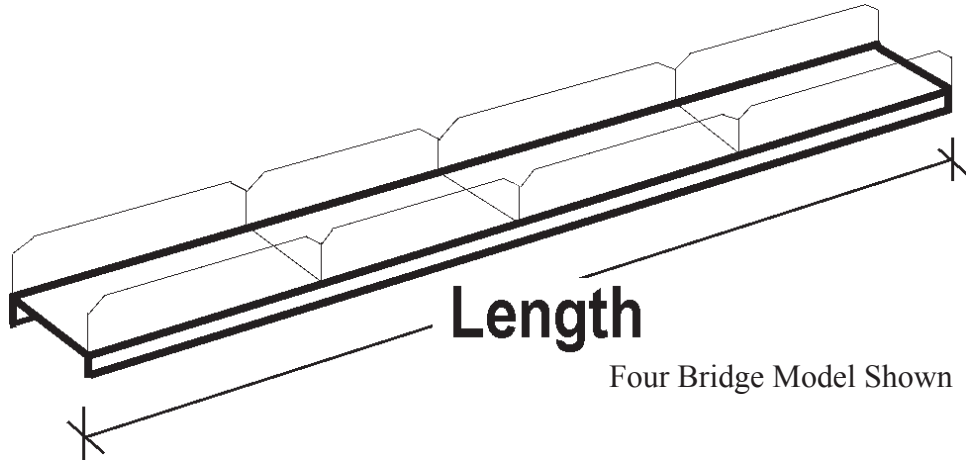
	Length	10"	20"	2 Ft	3 Ft	4 Ft	5 Ft	6 Ft	7 Ft	8 Ft
Single Track	Model	OSTAS	OSTBS	OSG2S	OSG3S	OSG4S	OSG5S	OSG6S	OSG7S	OSG8S
	Price	\$18.99	\$29.99	\$36.99	\$47.99	\$58.99	\$69.99	\$80.99	\$91.99	\$102.99
Double Track	Model	ODGAS	ODGBS	ODG2S	ODG3S	ODG4S	ODG5S	ODG6S	ODG7S	ODG8S
	Price	\$18.99	\$37.99	\$44.99	\$57.99	\$71.99	\$85.99	\$98.99	\$112.99	\$126.99
Triple Track	Model	OTGAS	OTGBS	OTG2S	OTG3S	OTG4S	OTG5S	OTG6S	OTG7S	OTG8S
	Price	\$21.99	\$44.99	\$53.99	\$69.99	\$85.99	\$102.99	\$118.99	\$135.99	\$151.99

BAR Lines Model Railroad Supply

14676 Berwick, Livonia, Michigan, 48154 1313-342-7771; Fax 1313-342-2244

Price List October 1, 2003

"O" Gauge Lionel Girder Bridge Supports



- @ Heavy Gauge Steel Construction
- @ Available Custom Length
- @ Primed in Red Primer
- @ Lionel Girder Bridges not included
- @ Spans up to 9ft
- @ Also Available in S/S

"O" Gauge Lionel Girder Bridge Support

# of Girder Bridges	2	3	4	5	6	7	8
Length	20"	30"	40"	50"	60"	70"	80"
Model	OL2	OL3	OL4	OL5	OL6	OL7	OL8
Price	\$13.99	\$16.99	\$20.99	\$24.99	\$28.99	\$32.99	\$36.99

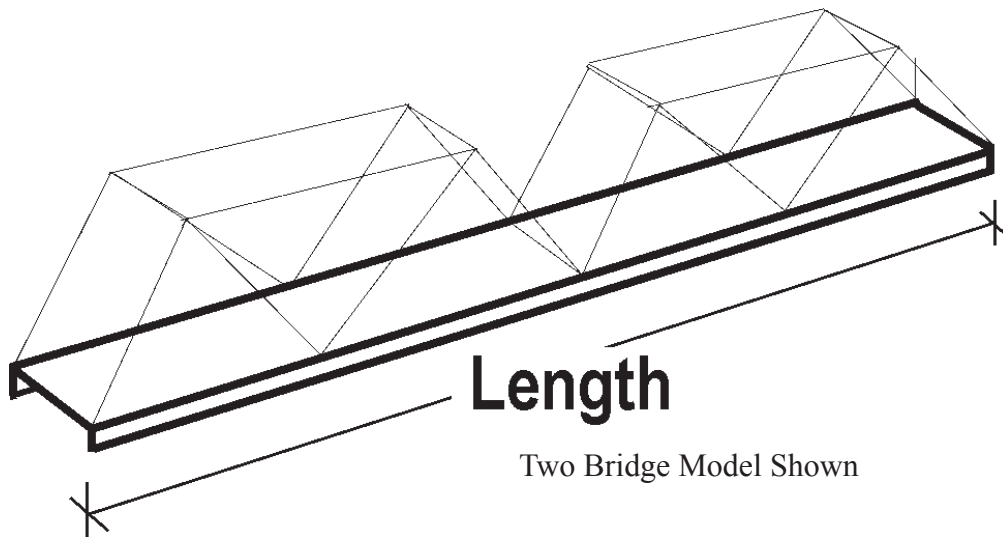
*Custom Units Available -
Consult Factory*



S/S "O" Gauge Lionel Girder Bridge Support

# of Girder Bridges	2	3	4	5	6	7	8
Length	20"	30"	40"	50"	60"	70"	80"
Model	OL2S	OL3S	OL4S	OL5S	OL6S	OL7S	OL8S
Price	\$21.99	\$27.99	\$34.99	\$41.99	\$47.99	\$54.99	\$61.99

Marx Bridge Supports



- @ Heavy Gauge Steel Construction
- @ Available Custom Length
- @ Primed in Red Primer
- @ Marx Bridges not included
- @ Available for Other Brands
- @ Spans up to 9ft
- @ Also Available in S/S

"O" Gauge Marx Bridge Support

# of 18" Marx Bridges	2	3	4	5	6	7	8
Length	3 Ft	4.5 Ft	6 Ft	7.5 Ft	9 Ft	10.5 Ft	12 Ft
Model	OM2	OM3	OM4	OM5	OM6	OM7	OM8
Price	\$26.99	\$33.99	\$41.99	\$49.99	\$57.99	\$64.99	\$72.99

*Custom Units Available -
Consult Factory*



S/S "O" Gauge Marx Bridge Support

# of 18" Marx Bridges	2	3	4	5	6	7	8
Length	3 Ft	4.5 Ft	6 Ft	7.5 Ft	9 Ft	10.5 Ft	12 Ft
Model	OM2S	OM3S	OM4S	OM5S	OM6S	OM7S	OM8S
Price	\$42.99	\$51.99	\$60.99	\$69.99	\$78.99	\$87.99	\$96.99

BAR Lines Model Railroad Supply

14676 Berwick, Livonia, Michigan, 48154 1313-342-7771; Fax 1313-342-2244