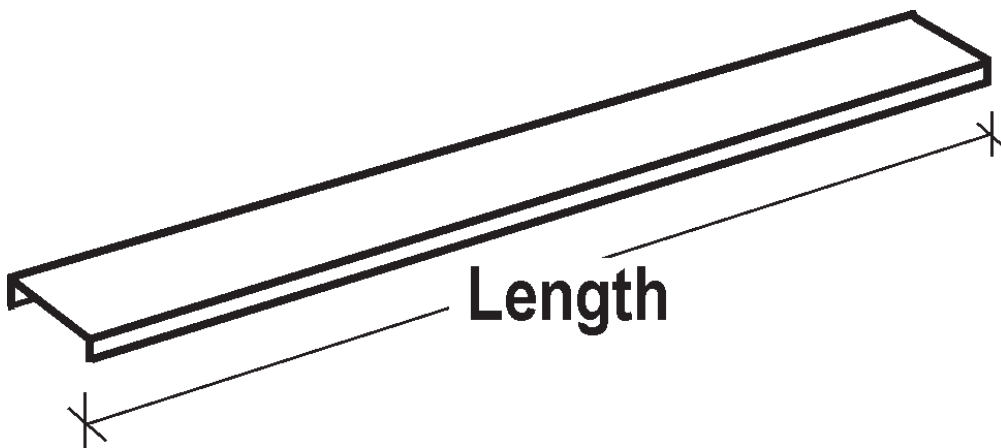
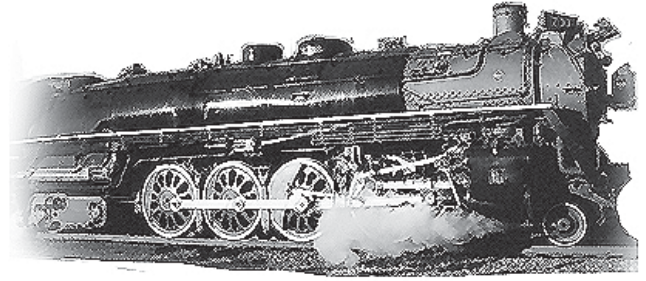


Price List October 1, 2003

"G" Gauge

See Pictures on BARLINESRR.COM!

Track Supports



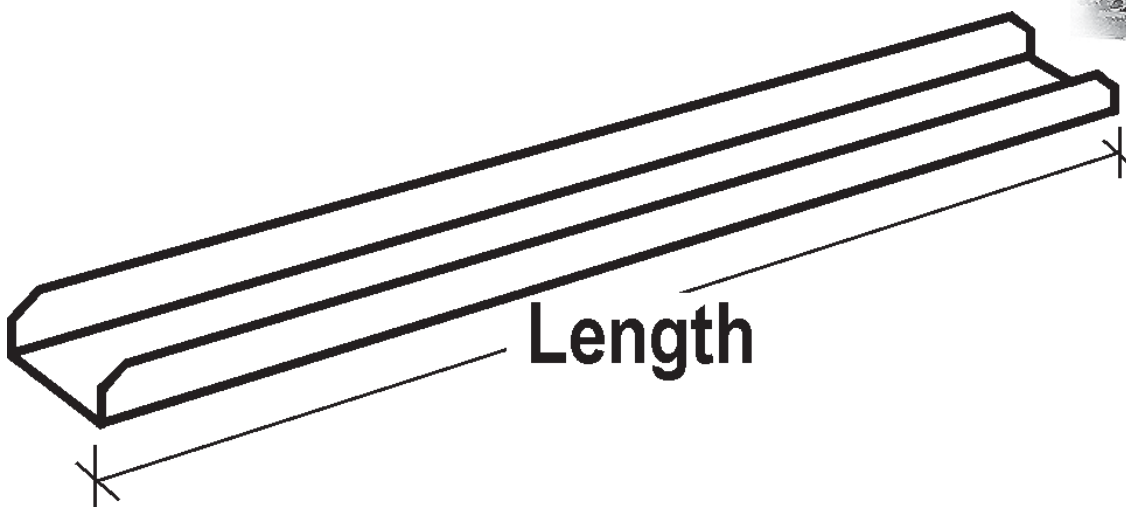
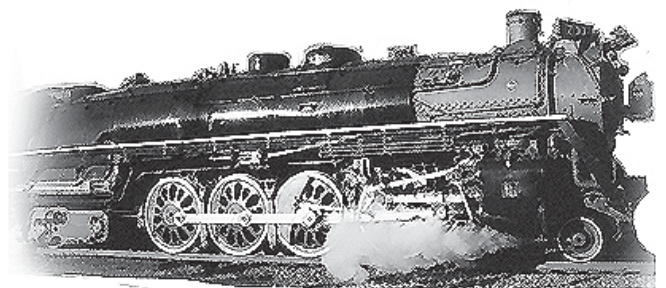
- @ Heavy Gauge Nickel Stainless Steel
- @ Weather Resistant Type 304
- @ Available in Custom Lengths
- @ Heavy Duty Available
- @ Spans up to 9ft

*Custom Units Available -
Consult Factory*

S/S "G" Gauge Track Support

	Length	2 Ft	3 Ft	4 Ft	5 Ft	6 Ft	7 Ft	8 Ft
Single Track	Model	GST2	GST3	GST4	GST5	GST6	GST7	GST8
	Price	\$36.99	\$43.99	\$51.00	\$59.00	\$67.00	\$75.00	\$83.00
Double Track	Model	GDT2	GDT3	GDT4	GDT5	GDT6	GDT7	GDT8
	Price	\$44.99	\$57.99	\$71.99	\$85.99	\$98.99	\$112.99	\$126.99
Triple Track	Model	GTT2	GTT3	GTT4	GTT5	GTT6	GTT7	GTT8
	Price	\$52.99	\$68.99	\$84.99	\$100.99	\$116.99	\$132.99	\$148.99

"Girder" Bridges



- @ Heavy Gauge Stainless Steel
- @ Weather Resistant Type 304
- @ Available in Custom Lengths
- @ Heavy Duty Available
- @ Spans up to 9ft

*Custom Units Available -
Consult Factory*

S/S "G" Gauge Girder Bridge

	Length	2 Ft	3 Ft	4 Ft	5 Ft	6 Ft	7 Ft	8 Ft
Single Track	Model	GSG2	GSG3	GSG4	GSG5	GSG6	GSG7	GSG8
	Price	\$52.99	\$63.99	\$74.99	\$85.99	\$97.99	\$108.99	\$119.99
Double Track	Model	GDG2	GDG3	GDG4	GDG5	GDG6	GDG7	GDG8
	Price	\$62.99	\$80.99	\$99.99	\$118.99	\$137.99	\$156.99	\$175.99
Triple Track	Model	GTG2	GTG3	GTG4	GTG5	GTG6	GTG7	GTG8
	Price	\$71.99	\$92.99	\$114.99	\$135.99	\$157.99	\$179.99	\$200.99

BAR Lines Model Railroad Supply

14676 Berwick, Livonia, Michigan, 48154 1313-342-7771; Fax 1313-342-2244